



ORION
HIGH PERFORMANCE CAR AUDIO

owner's manual

BP-HP10D2

BP-HP12D2

***Single 10"/12"
Vented Subwoofer
Enclosure System***

POWERED BY HARDCORE ATTITUDE

INTRODUCTION

Thank you for your purchase of the Orion vented subwoofer enclosure system from Directed Electronics. The Orion vented subwoofer enclosure system will excite and delight the auto sound enthusiast with years of high quality audio reproduction.

Orion vented subwoofer enclosure systems are covered by a two-year limited warranty. Be sure to retain your original sales receipt, and refer to the warranty section on the back cover of this guide for full details about your coverage.

PRACTICE SAFE SOUND™



High-powered car audio systems may produce sound pressure levels that exceed the threshold at which hearing loss may result. They may also impair a driver's ability to hear traffic sounds or emergency vehicles. Use common sense and practice safe listening habits when listening to or adjusting your audio system. If your subwoofer enclosure is installed in the passenger compartment, make sure it is restrained (use straps or seat belts—not provided) from moving in case of an accident.

Your Product Information

Model Number: _____

Date of Purchase: _____

Purchased from: _____

INSTALLATION

1. Place the speaker assembly in your vehicle. Common placement will normally be the trunk, back seat, or back of a van.
2. Connect the speaker to an amplifier output (not supplied), observing that the polarity markings on the back of the speaker enclosure are connected to the corresponding polarities on the amplifier.

NOTE: Do not use an amplifier that can drive the speaker beyond their specifications.

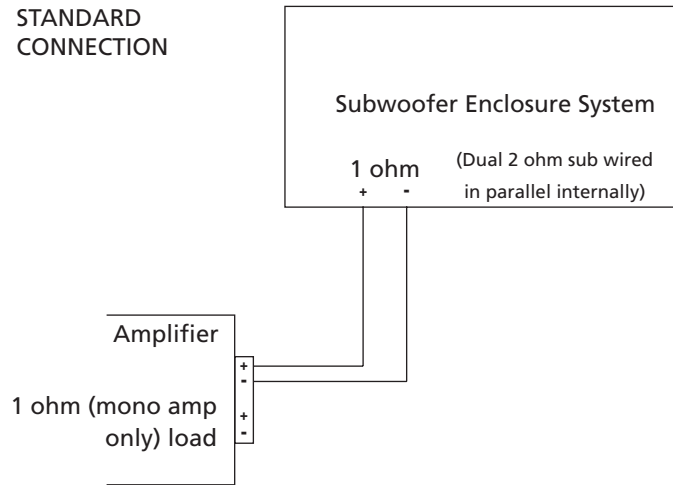
SPECIFICATIONS

Model	BP-P10D2	BP-P12D2
System		
Frequency response	30Hz–250Hz	30Hz–250Hz
Power handling RMS	500 watts	500 watts
Power handling peak	1000 watts	1000 watts
Box Impedance	1 Ohms	1 Ohms
Efficiency (1W/1M)	86dB	88dB
Woofer size	10"	12"
Number of woofers	1	1
Enclosure type	vented	vented
Box and -3dB frequency	32, 30 Hz	35, 34 Hz
Typical output level @ full power	113 to 119dB	116 to 122dB
Depth x Width x Height	18- $\frac{1}{4}$ "x15- $\frac{1}{2}$ "x14"	21- $\frac{1}{4}$ "x16- $\frac{1}{2}$ "x14- $\frac{3}{4}$ "
Weight	47 lbs (21.4 kgs)	51 lbs (23.2 kgs)

WIRE CONNECTION GUIDE

The diagram below show a standard connection to your amplifier.

NOTE: Refer to your amplifier owner's manual before connecting the subwoofer enclosure system.



Warranty

LIMITED ONE-YEAR CONSUMER WARRANTY/

*LIMITED TWO-YEAR CONSUMER WARRANTY FOR AUTHORIZED DIRECTED DEALER PURCHASE & INSTALLATION

Directed Electronics (herein "Directed") promises to the original purchaser, to repair or replace with a new or refurbished unit (at Directed's sole and absolute discretion) this product should it prove to be defective in workmanship or material under normal use, for a period of ***two-years** from the date of purchase from the authorized Directed dealer **PROVIDED** the product was purchased and installed by an authorized Directed dealer. During this ***two-year** period, there will be no charge for the repair or replacement **PROVIDED** the unit is returned to Directed, shipping pre-paid, along with the required proof of installation, the bill of sale or other dated proof of purchase, and the consumer's contact information. If the unit is installed by anyone other than an authorized Directed dealer, the warranty period will be **one-year** from the date of purchase. This warranty is non-transferable and does not apply to any unit that has been modified or used in a manner contrary to its intended purpose, and does not cover damage to the unit caused by installation or removal of the unit. During this one-year period, there will be no charge for the repair or replacement **PROVIDED** the unit is returned to Directed, shipping pre-paid, along with the bill of sale or other dated proof of purchase and the consumer's contact information. This warranty is void if the product has been damaged by accident or unreasonable use, neglect, improper service or other causes not arising out of defects in materials or construction. This warranty does not cover the elimination of externally generated static or noise, or the correction of antenna problems or weak reception, damage to speakers, accessories, electrical systems, cosmetic damage or damage due to negligence, misuse, failure to follow operating instructions, accidental spills or customer applied cleaners, damage due to environmental causes such as floods, airborne fallout, chemicals, salt, hail, lightning or extreme temperatures, damage due to accidents, road hazards, fire, theft, loss or vandalism, damage due to improper connection to equipment of another manufacturer, modification of existing equipment, or Product which has been opened or tampered for any reason. Units which are found to be damaged by abuse resulting in thermally damaged voice coils are not covered by this warranty but may be replaced at the absolute and sole discretion of Directed. Unit must be returned to Directed, postage pre-paid, with bill of sale or other dated proof of purchase bearing the following information: consumer's name, telephone number, and address, authorized dealer's name and address, and product description. Unit must be returned to the following address: ATTN: WARRANTY DEPARTMENT, Directed Electronics, 1 Viper Way, Vista, CA 92081. Note: This warranty does not cover labor costs for the removal and reinstallation of the unit. **IN ORDER FOR THE TWO-YEAR WARRANTY TO BE VALID, YOUR UNIT MUST BE SHIPPED WITH PROOF OF INSTALLATION BY AN AUTHORIZED DIRECTED DEALER. ALL UNITS RECEIVED BY DIRECTED FOR WARRANTY REPAIR WITHOUT PROOF OF DIRECTED DEALER INSTALLATION AND PURCHASE WILL BE COVERED BY THE LIMITED 1 YEAR WARRANTY.**

BY PURCHASING THIS PRODUCT, ALL WARRANTIES INCLUDING BUT NOT LIMITED TO EXPRESS WARRANTY, IMPLIED WARRANTY, WARRANTY OF MERCHANTABILITY, FITNESS FOR PARTICULAR PURPOSE, AND WARRANTY OF NON-INFRINGEMENT OF INTELLECTUAL PROPERTY ARE EXPRESSLY EXCLUDED TO THE MAXIMUM EXTENT ALLOWED BY LAW, AND DIRECTED NEITHER ASSUMES NOR AUTHORIZES ANY PERSON TO ASSUME FOR IT ANY LIABILITY IN CONNECTION WITH THE SALE OF THE PRODUCT. DIRECTED HAS ABSOLUTELY NO LIABILITY FOR ANY AND ALL ACTS OF THIRD PARTIES INCLUDING ITS AUTHORIZED DEALERS OR INSTALLERS. IN NO EVENT WILL DIRECTED BE LIABLE FOR ANY INCIDENTAL, SPECIAL OR CONSEQUENTIAL DAMAGES (INCLUDING LOSS OF PROFITS). BY PURCHASING THIS PRODUCT, THE CONSUMER AGREES AND CONSENTS THAT ALL DISPUTES BETWEEN THE CONSUMER AND DIRECTED SHALL BE RESOLVED IN ACCORDANCE WITH CALIFORNIA LAWS IN SAN DIEGO COUNTY, CALIFORNIA. This warranty is only valid for sale of Product within the United States of America. Product sold outside of the United States of America is sold "AS-IS," and shall have **NO WARRANTY**, express or implied. Some states do not allow limitation on how long an implied warranty lasts. In such states, the limitation or exclusions of this Limited Warranty may not apply. Some states do not allow the exclusion or limitation of incidental or consequential damages. In such states, the exclusion or limitation of this Limited Warranty may not apply to you. This Limited Warranty gives you specific legal rights, and you may have other rights which vary from state to state.

920-0033 Rev 02-07



Designed and Engineered in the USA by:

Directed
ELECTRONICS